

Name \_\_\_\_\_

Find the area and perimeter of each shape. Remember to label your answer in square units!

5 ft.

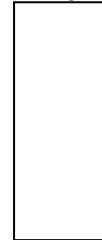


5 ft.

A= \_\_\_\_\_

P= \_\_\_\_\_

2 cm.

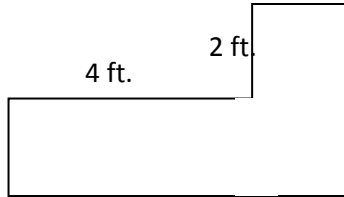


8 cm.

A= \_\_\_\_\_

P= \_\_\_\_\_

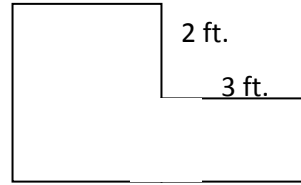
2 ft.



A= \_\_\_\_\_

P= \_\_\_\_\_

3 ft.



2 ft.

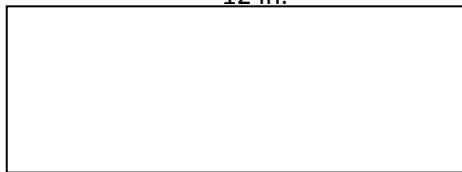
3 ft.

2 ft.

A= \_\_\_\_\_

P= \_\_\_\_\_

12 in.

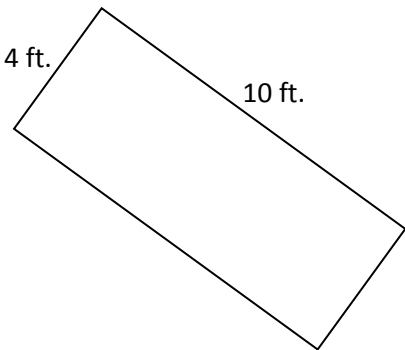


3 in.

A= \_\_\_\_\_

P= \_\_\_\_\_

4 ft.



10 ft.

A= \_\_\_\_\_

P= \_\_\_\_\_